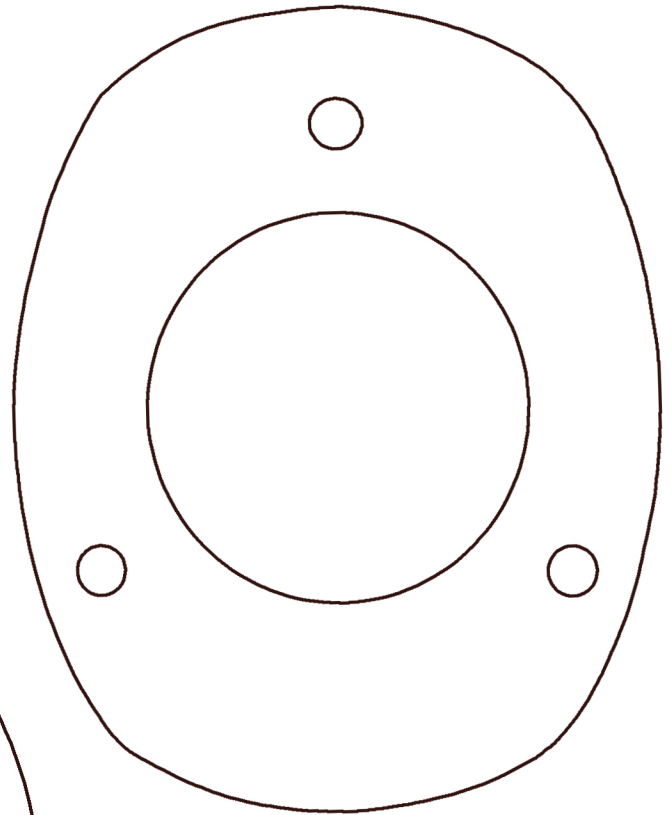
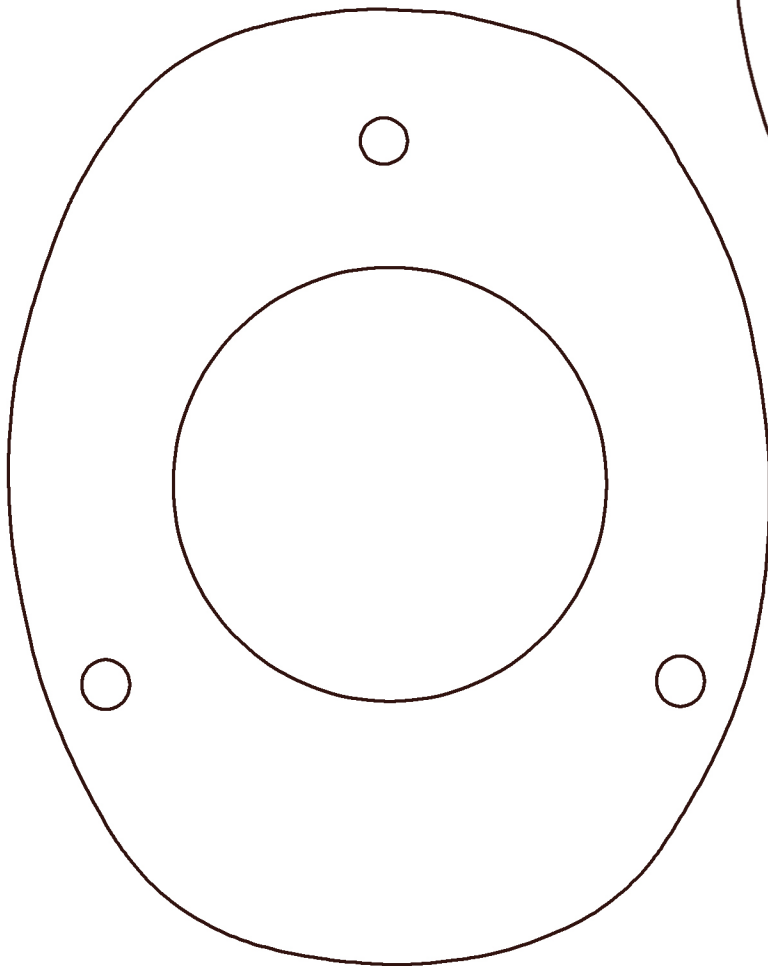


Rod Holder Plate Template

Medium Flush
Rod Holder
3 3/8" x 4 3/16"



Large Flush
Rod Holder
4" x 5"



Important Notes:

All Rod Holders are drilled and countersunk for 1/4" bolts. It is highly recommended that these units be "through-bolted", and not attached with screws whenever possible.