

Ref

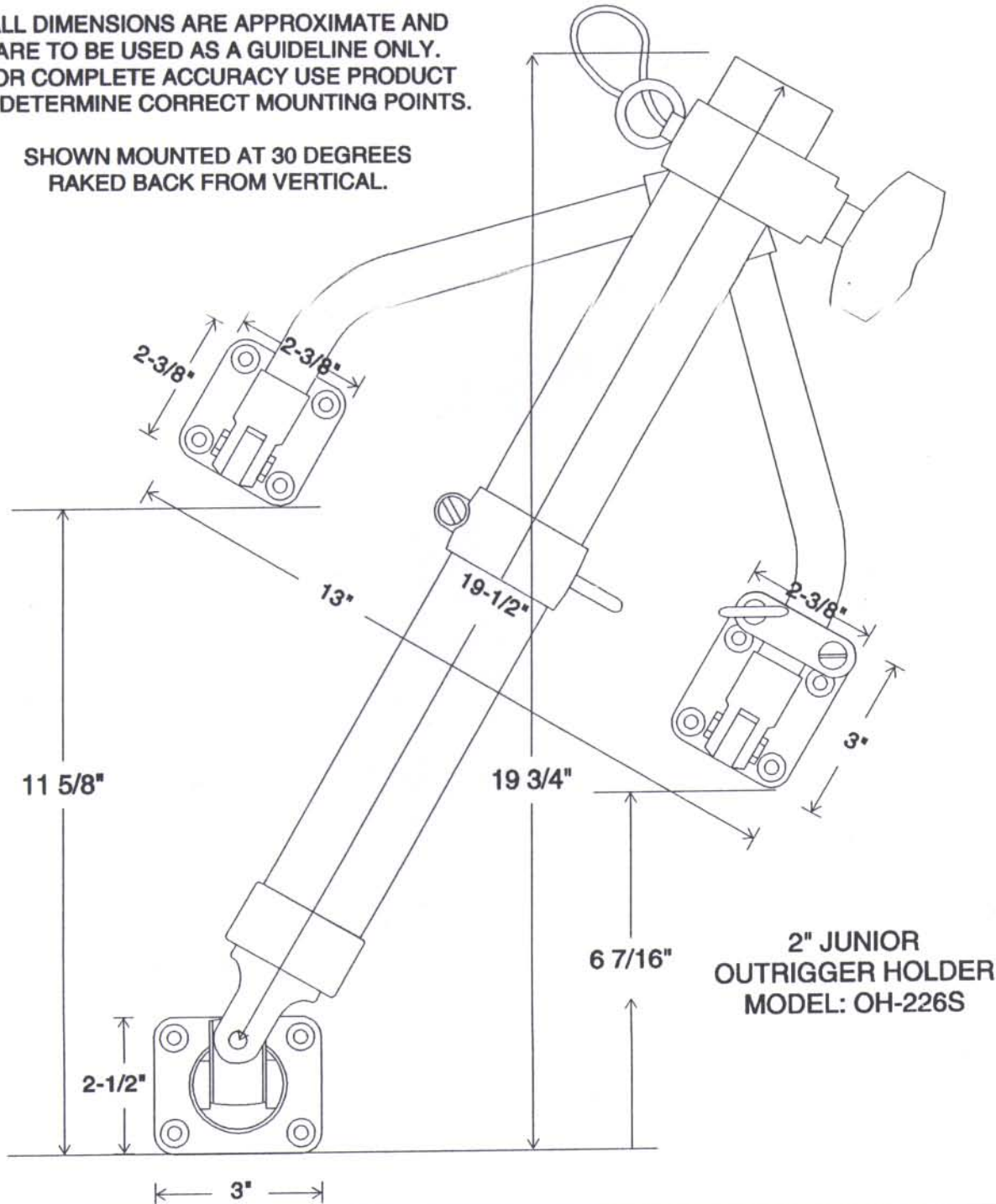


# World's Oldest Manufacturer of Sportfishing Equipment

OUTRIGGERS • FIGHTING CHAIRS • ROD HOLDERS

ALL DIMENSIONS ARE APPROXIMATE AND  
ARE TO BE USED AS A GUIDELINE ONLY.  
FOR COMPLETE ACCURACY USE PRODUCT  
TO DETERMINE CORRECT MOUNTING POINTS.

SHOWN MOUNTED AT 30 DEGREES  
RAKED BACK FROM VERTICAL.



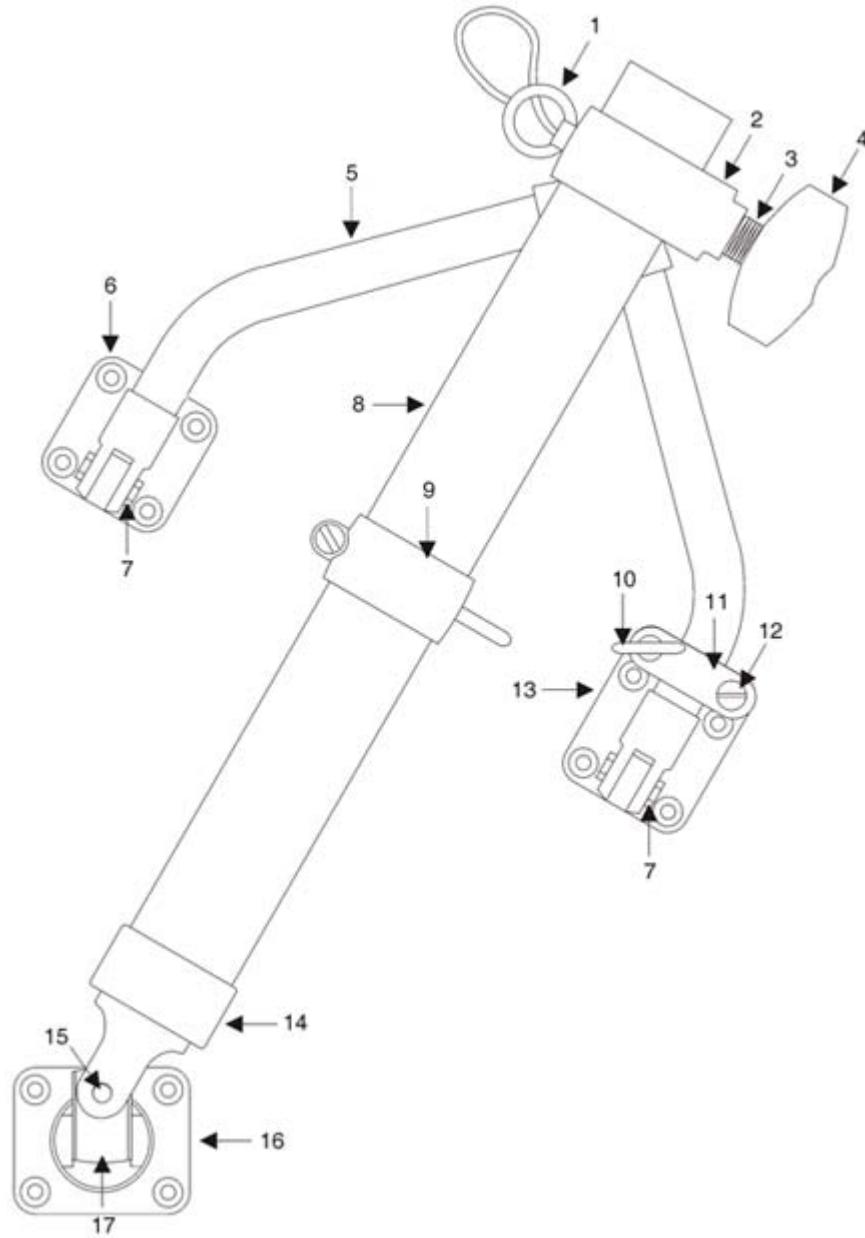
2" JUNIOR  
OUTRIGGER HOLDER  
MODEL: OH-226S

TEL (305) 599-9324  
FAX (305) 599-0830  
E-MAIL [sales@leetackle.com](mailto:sales@leetackle.com)  
WEB [www.leetackle.com](http://www.leetackle.com)



LEE'S TACKLE INC  
8227 NW 54TH STREET  
MIAMI FL 33166

# Lee's Wishbone Outrigger "The Junior" Parts List



## **OH226S and OH234S PARTS LIST**

### ***WISHBONE***

	OH2026-0100	SMALL WISHBONE - COMPLETE with BASES
5	OH2026-0101	SMALL WISHBONE with BOLT & LOCK NUT
7	OH2026-0102	CLEVIS BOLT & LOCK NUT
	OH2034-0100	LARGE WISHBONE - COMPLETE with BASES
	OH2034-0101	LARGE WISHBONE with BOLT & LOCK NUT

### ***CLAMP HOUSING***

	OH2026-0200	CLAMP HOUSING - COMPLETE
2	OH2026-0201	CLAMP HOUSING - ONLY
1	OH2026-0202	EYEBOLT with CABLE
	OH2026-0203	CABLE with BALL STOP - ONLY
	OH2026-0204	CRESCENT

### ***KNOB***

	OH2026-0300	KNOB COMPLETE with RIVET & PIN
3	OH2026-0301	KNOB STUD, SCREW, RIVET & PIN
	OH2026-0302	KNOB SCREW
	OH2026-0303	KNOB RIVET & PIN

### ***FOUR HOLE BASE***

6	OH2026-0401	FOUR HOLE (ONE PRONG) SQUARE BASE
---	-------------	-----------------------------------

### ***SIX HOLE BASE***

	OH2026-0500	SIX HOLE (ONE PRONG) BASE - COMPLETE
13	OH2026-0501	SIX HOLE (ONE PRONG) BASE - ONLY
10	OH2026-0502	EYE NUT, STUD & NUT
11	OH2026-0503	GATE with BOLT & NUT
	OH2026-0504	GATE ONLY
12	OH2026-0505	BOLT & NUT (GATE)

### ***MAIN TUBE***

	OH2026-0600	2 in. X 18 in. SS TUBE with CUP
8	OH2026-0601	2 in. X 18 in. SS TUBE ONLY
	OH2034-0600	2 in. X 36 in. SS TUBE with CUP
	OH2034-0601	2 in. X 36 in. SS TUBE ONLY

### ***CUP***

14	OH2026-0701	CUP (TWO PRONG) WITH PINS
	OH2026-0702	CUP PINS

### ***LONG BLOCK***

	OH2026-0800	LONG BLOCK, BLOCK PINS & COTTER PIN
17	OH2026-0801	LONG BLOCK with COTTER PIN
15	OH2026-0802	BLOCK PIN
	OH2026-0803	COTTER PIN (LONG BLOCK)

### ***RECTANGULAR BASE***

16	OH2026-0901	RECTANGULAR BASE (TWO PRONG)
----	-------------	------------------------------

### ***ACCESSORIES***

9	MC20	2 in. STOP COLLAR
	MC0014	2 in. LAY-DOWN HOOK SS
	MC10	2 in. HOLDING BRACKET